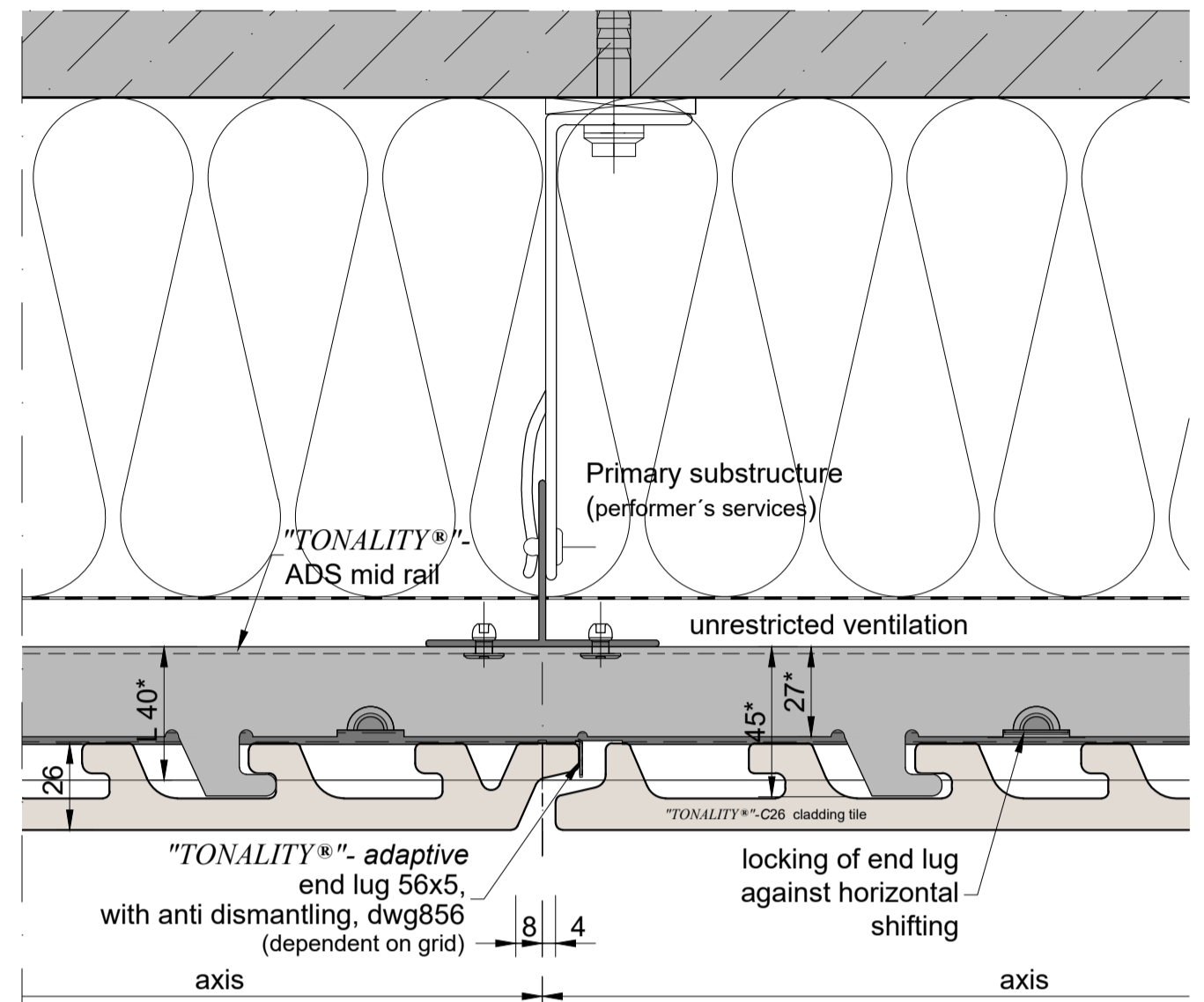
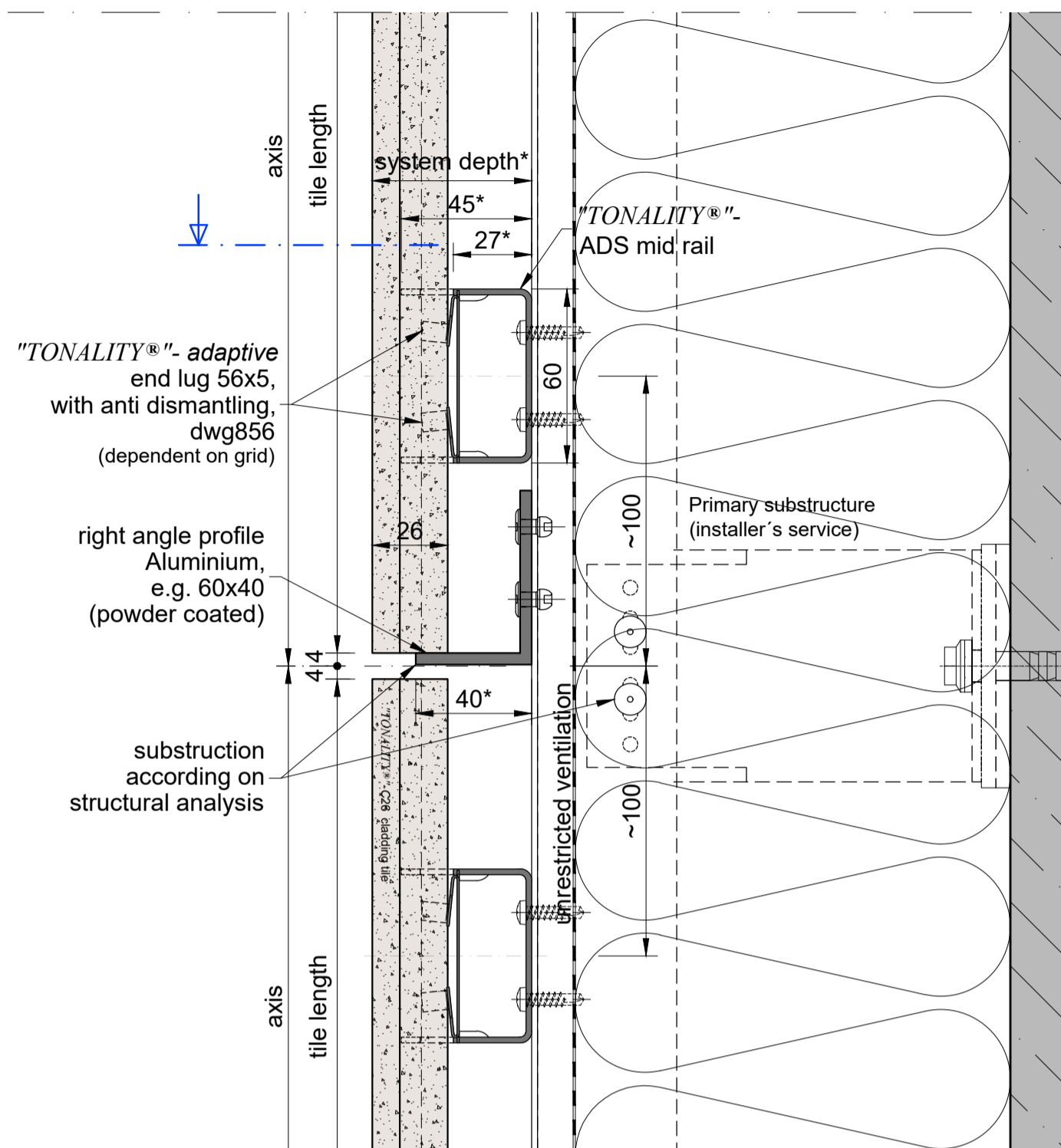


"TONALITY"<sup>®</sup>-Clay tile facade  
**protection against dismantling** via end lug with clips [dwg 856] for the ADS systems

ANo. ADS 100-35

Scale: 1:2 with DIN A3

**vertical section**  
with vertical aligned facade



**horizontal section**  
with vertical aligned facade

**TYPICAL DETAIL 14**

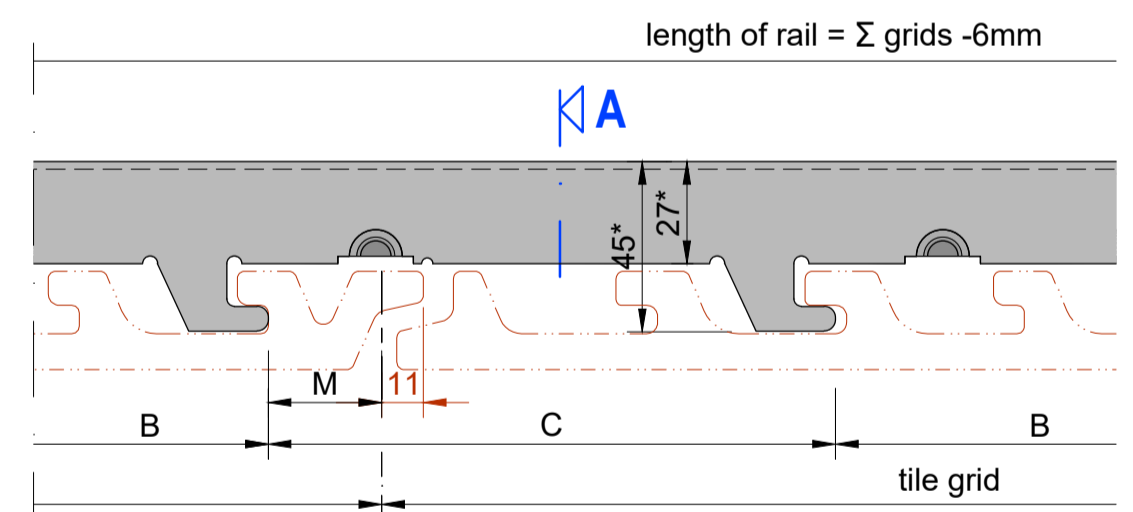
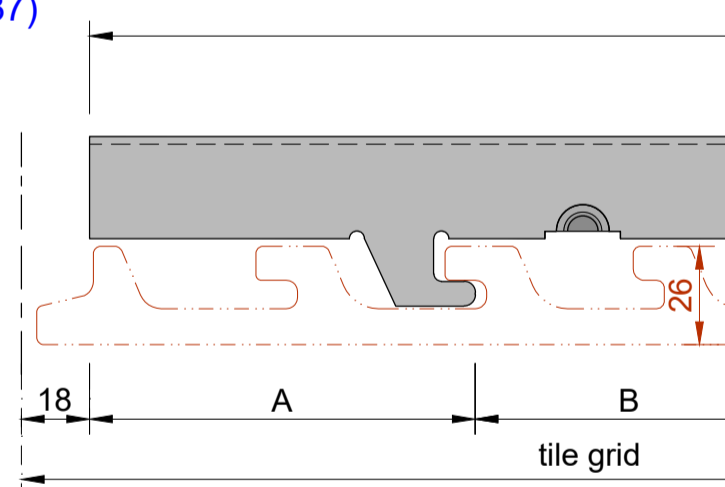
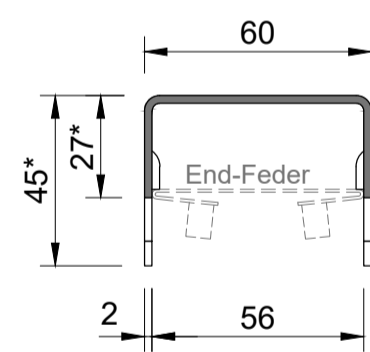
"TONALITY"<sup>®</sup>-Clay tile facade  
details about  
ADS substructure

ANo. ADS 100-36

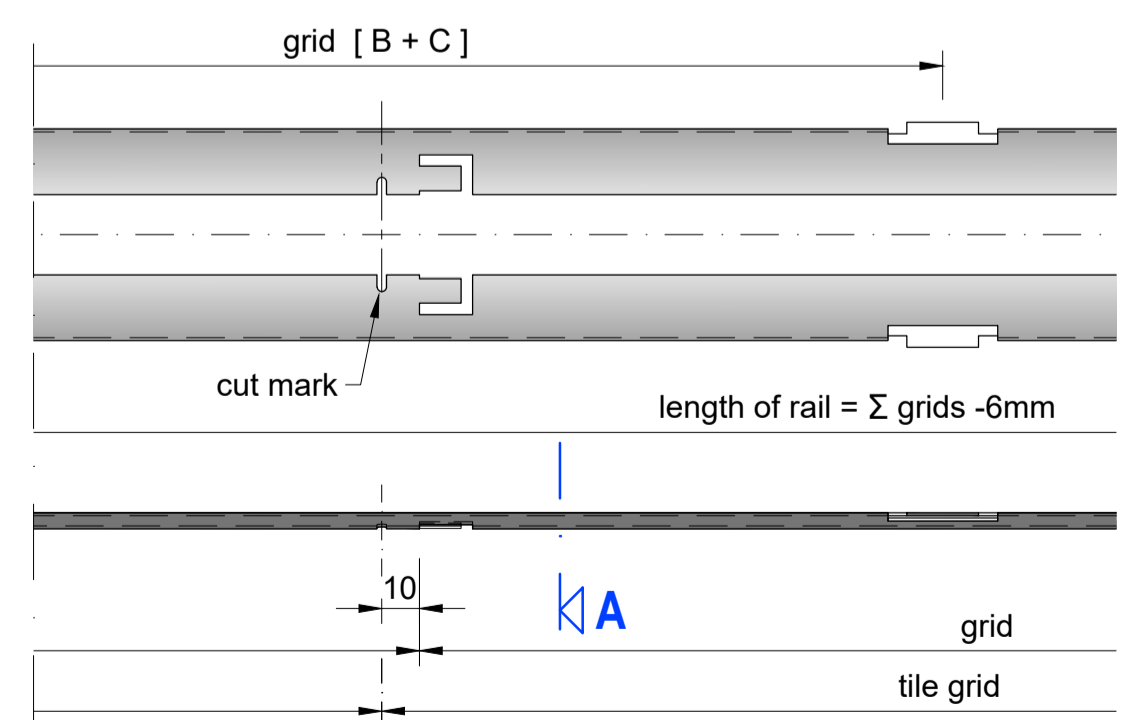
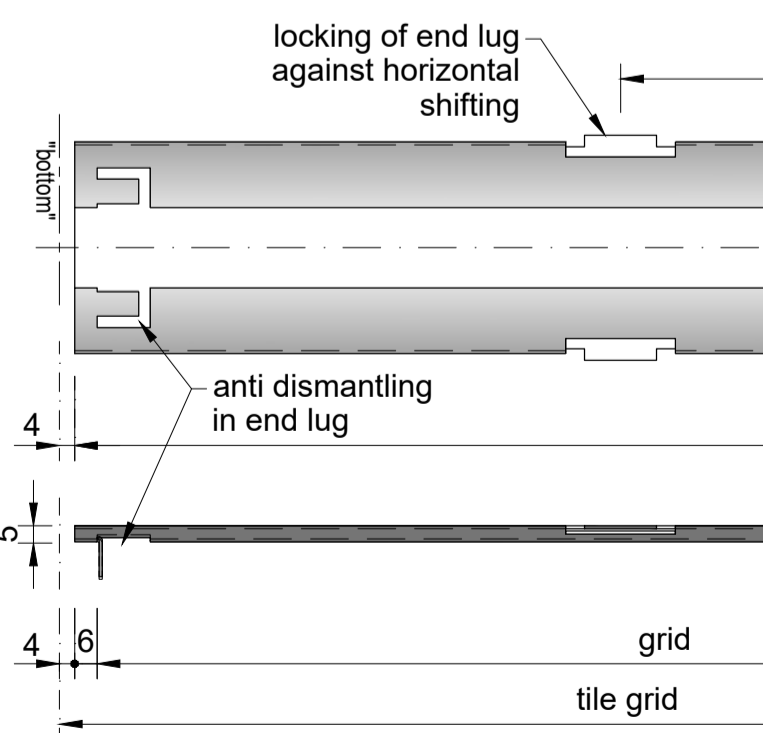
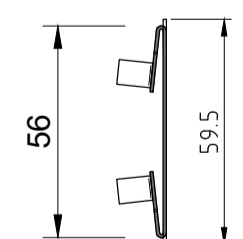
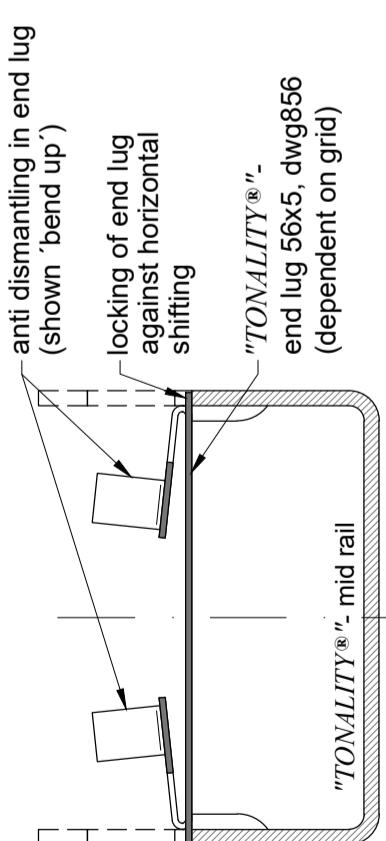
Scale: 1:1, 1:2 with DIN A3

**"TONALITY"<sup>®</sup>- vertical support mid rail**

- \* 35x60x35, **dwg701** (\*17),
- \* 45x60x45, **dwg702** (\*27),
- \* 55x60x55, **dwg703** (\*37)



**"TONALITY"<sup>®</sup>- adaptive end lug with anti dismantling (Clip) 56x5, dwg856**



**section A-A**  
scale 1:2